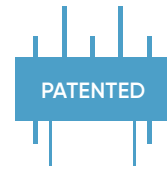


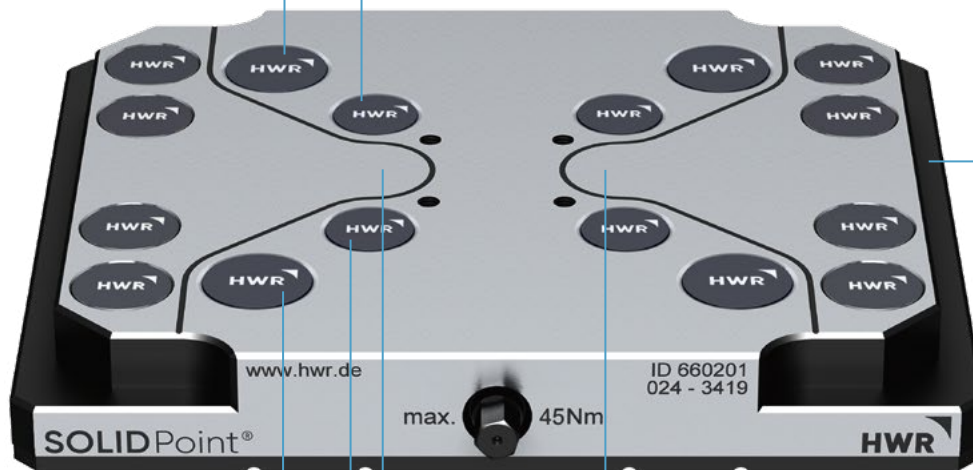
MECHANICAL ZERO-POINT-TECHNOLOGY



ORIGINAL
HWR
QUALITY

52 and 96 grid combined in
one plate

Optimized flap edge
for mounting in the center
groove



3 times higher
locking force

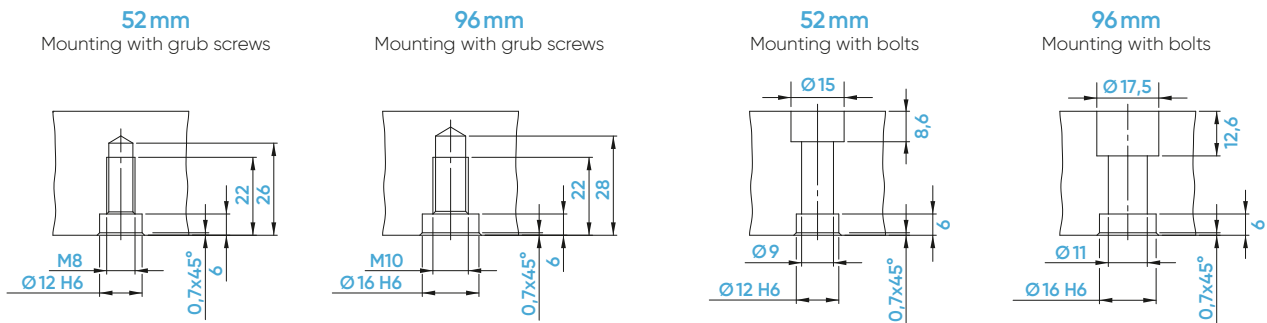
Marking of the possible
drilling range for mounting
holes

ZERO-POINT TECHNOLOGY UPGRADED

SOLIDPoint® is a development by HWR which has a significantly higher pull-in force than the systems already on the market, in addition to the established properties. Combination plates with 96 and 52 centres in one plate are also possible. The locking technology also consists of significantly less components than comparable systems. This results in only minimal friction losses and 3 times higher locking force is generated.

SOLIDPoint® 96/52

Accessories



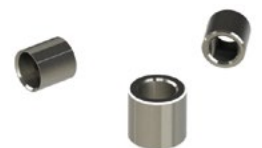
Zero-point studs

Ident-no.	662096	662096-10	652052	652052-10
Version	Standard	Distance stud	Standard	Distance stud
Bolt diameter	mm 20	20	16	16
Zero-point system	mm 96	96	52	52
Distance height	mm -	10 [Ø28]	-	10 [Ø24]
Compatible with	45570	45570-10	45270	45270-10



Fitting sleeves

Ident-no.	662003	662004	662005
Dimensions	mm Ø 12 x 12	Ø 12 x 12	Ø 16 x 15
For bolt	M10	M8	M10
Compatible with	45000-09	65191-04	65191-05



Protective plugs

Ident-no.	662001	652002
Bolt diameter	mm 20	16
Compatible with	45096-30	45052-30



Cover plates for mounting holes

Ident-no.	669015	669020	669027
Diameter	mm 15	20	27
Compatible with	45008-15	45008-20	45008-27



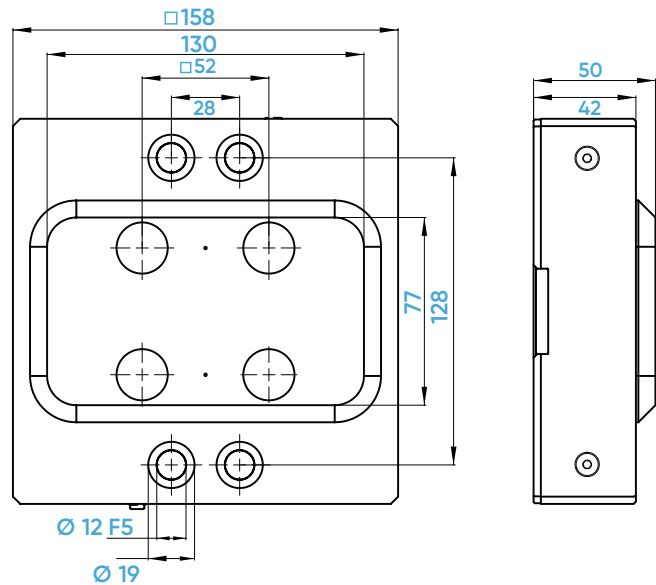
SOLIDPoint® 52

Pneumatic zero-point plates



653003

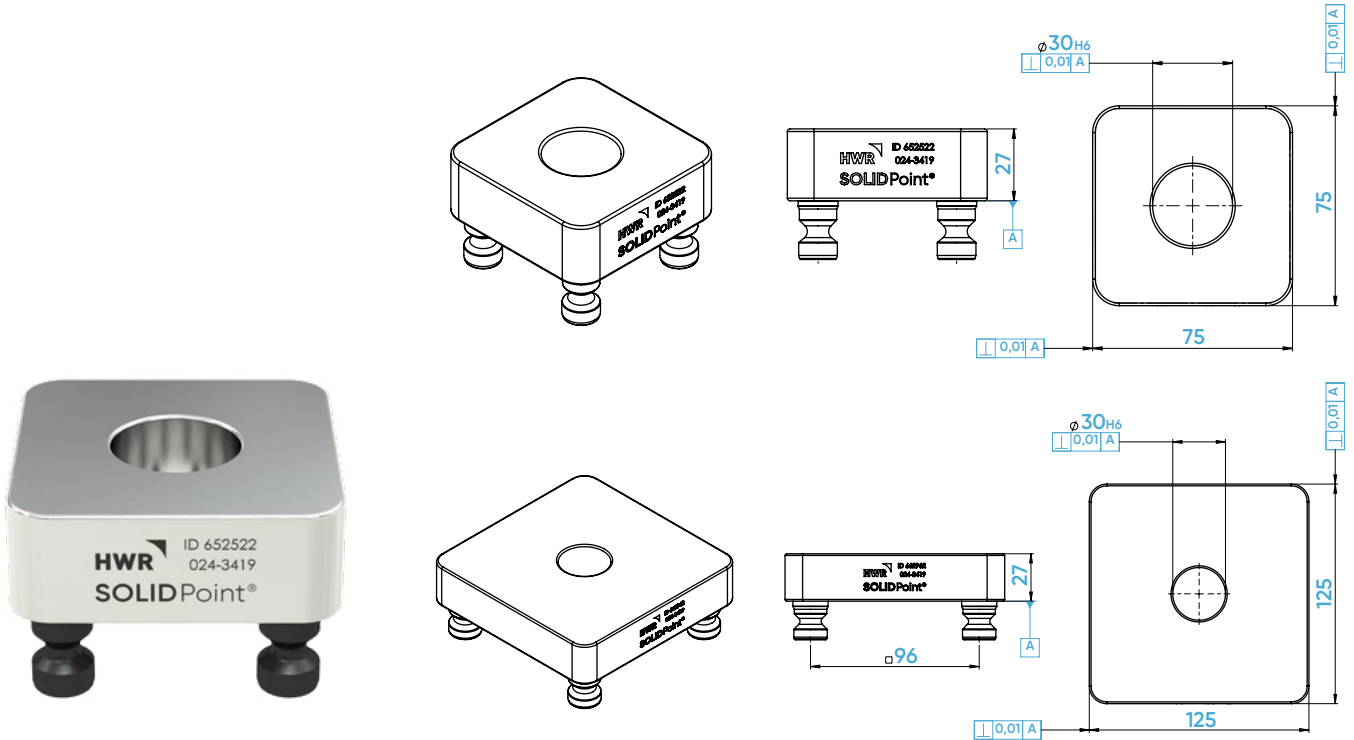
Pneumatic plate
in grid 96
available from
beginning of 2023!



Ident-no.	653003	
Dimensions	mm	158 x 158 x 50
Zero-point system	mm	52
Zero-point stud	mm	$\varnothing 16$
Suitable vice		77 / 46
Pneumatic actuating pressure	bar	min. 7
Holding force (boosted)	kN	60 [4 studs]
Accuracy	mm	0,005
Weight	kg	7,4

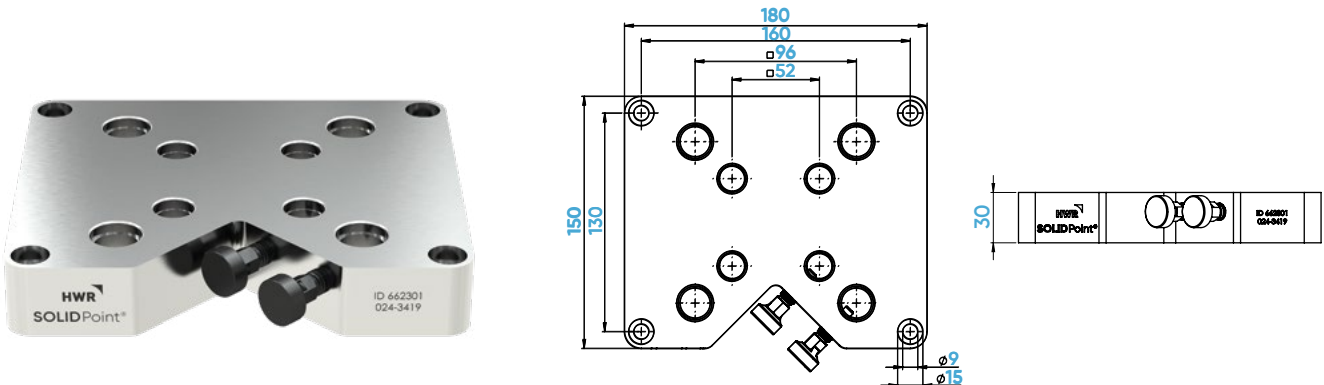
SOLIDPoint®

Gauging pallet and setup station



SOLIDPoint®

Ident-no.	652522	662962
Width x height x length	mm 75 x 27 x 75	125 x 27 x 125
zero-point system	52	96
zero-point stud	16	20



SOLIDPoint®

Ident-no.	662301
Width x height x length	mm 150 x 30 x 180
zero-point system	52 / 96